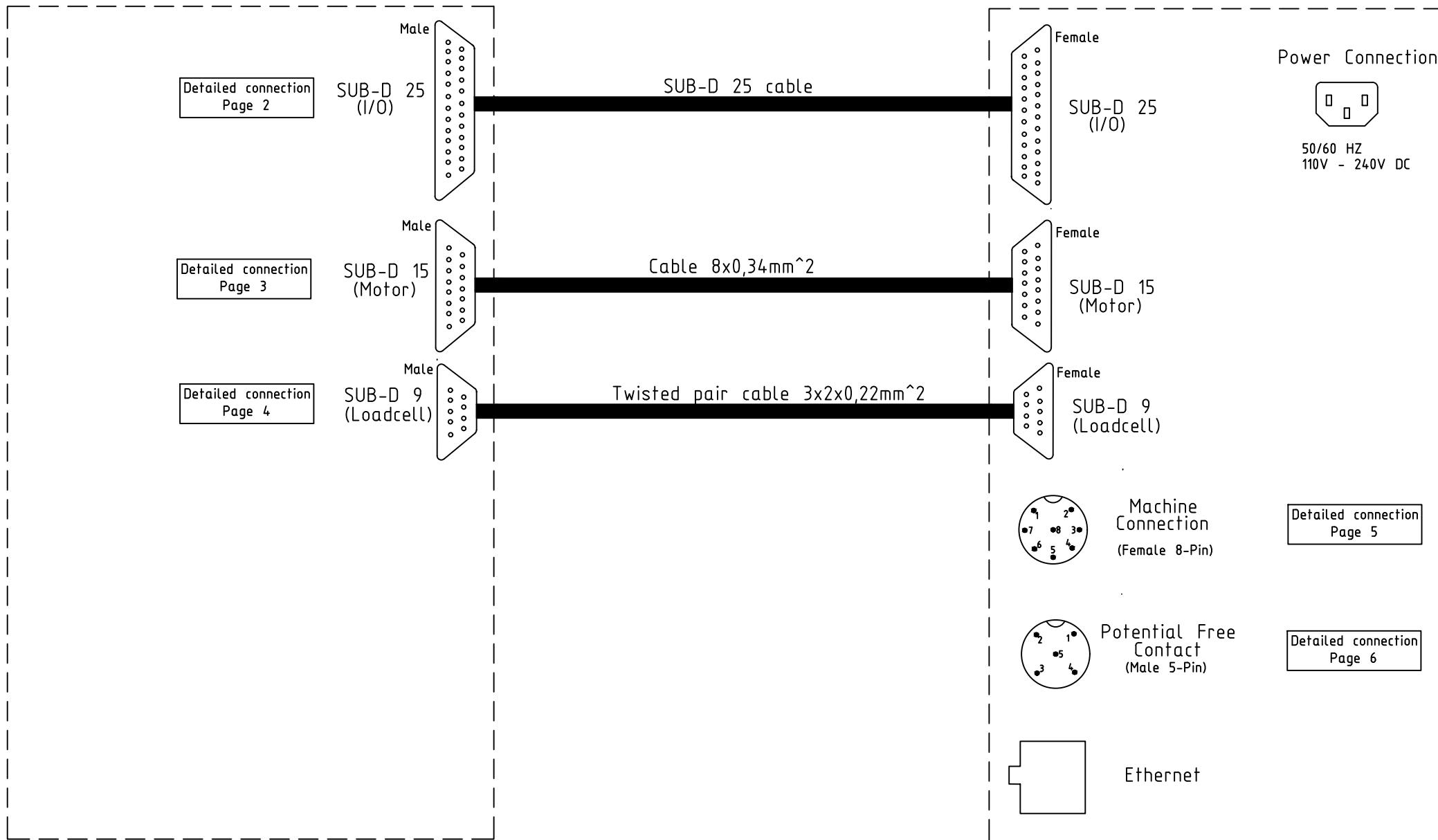


Ferlin One Housing

Ferlin One Control



**Ferlin**

Rudolf Dieselstraat 15A  
Nijverdal  
7442 DR  
HOLLAND  
tel. 0548-745370

PROJECT:  
Ferlin One

SUBJECT:  
MAIN DIAGRAM

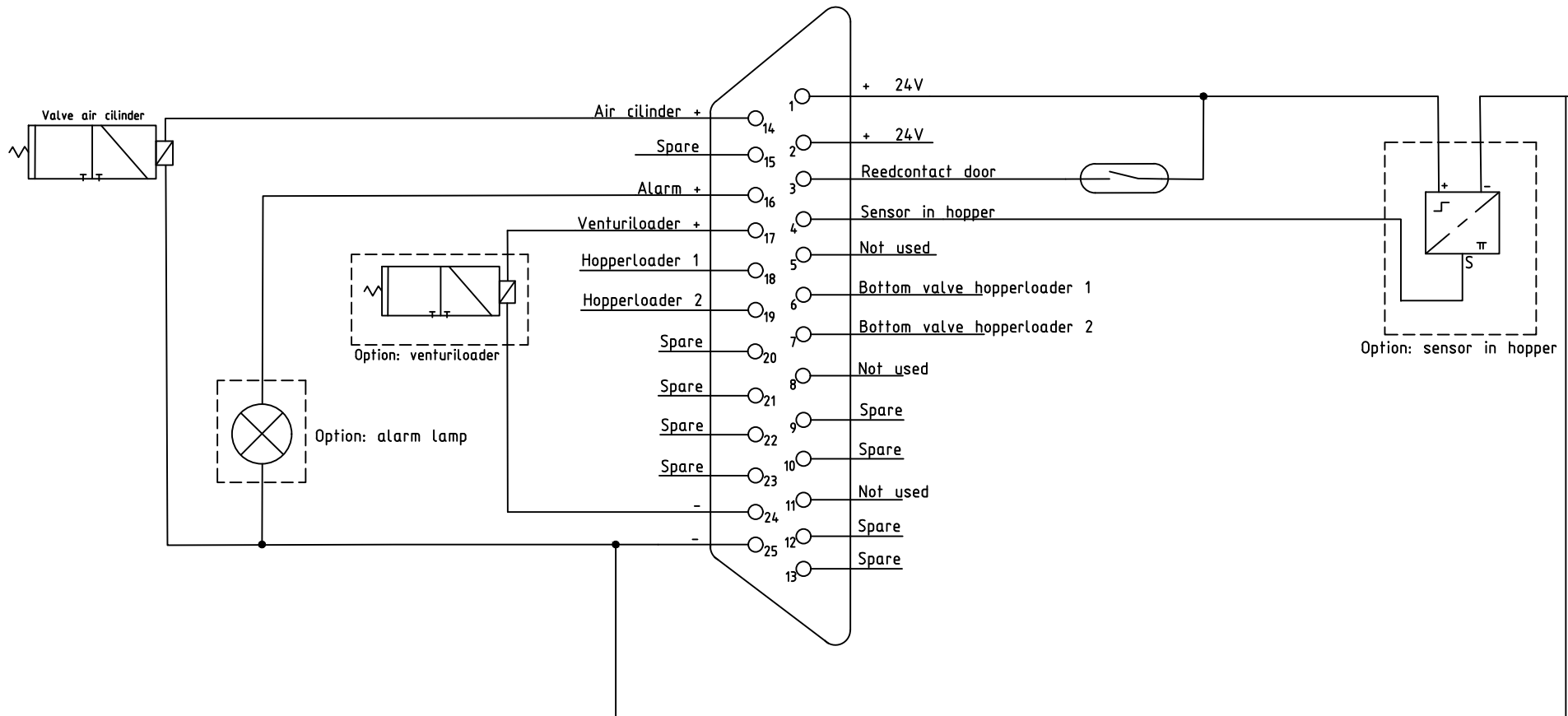
DRAWN BY: N. Vogelzang  
DATE: 6-6-2023  
PROJECTNO.  
PAGE: 1 OF: 6

DRAWING NUMBER:  
F1CPS.0001  
REVISION:  
6-6-2023

A4

Digital output (left-side)

Digital input (right-side)



**Ferlin**

Rudolf Dieselstraat 15A  
Nijverdal  
7442 DR  
HOLLAND  
tel. 0548-745370

PROJECT:  
Ferlin One

SUBJECT:  
SUB-D 25 Connection

DRAWN BY: N. Vogelzang

DATE: 6-6-2023

PROJECTNO.

PAGE: 2 OF: 6

DRAWING NUMBER:

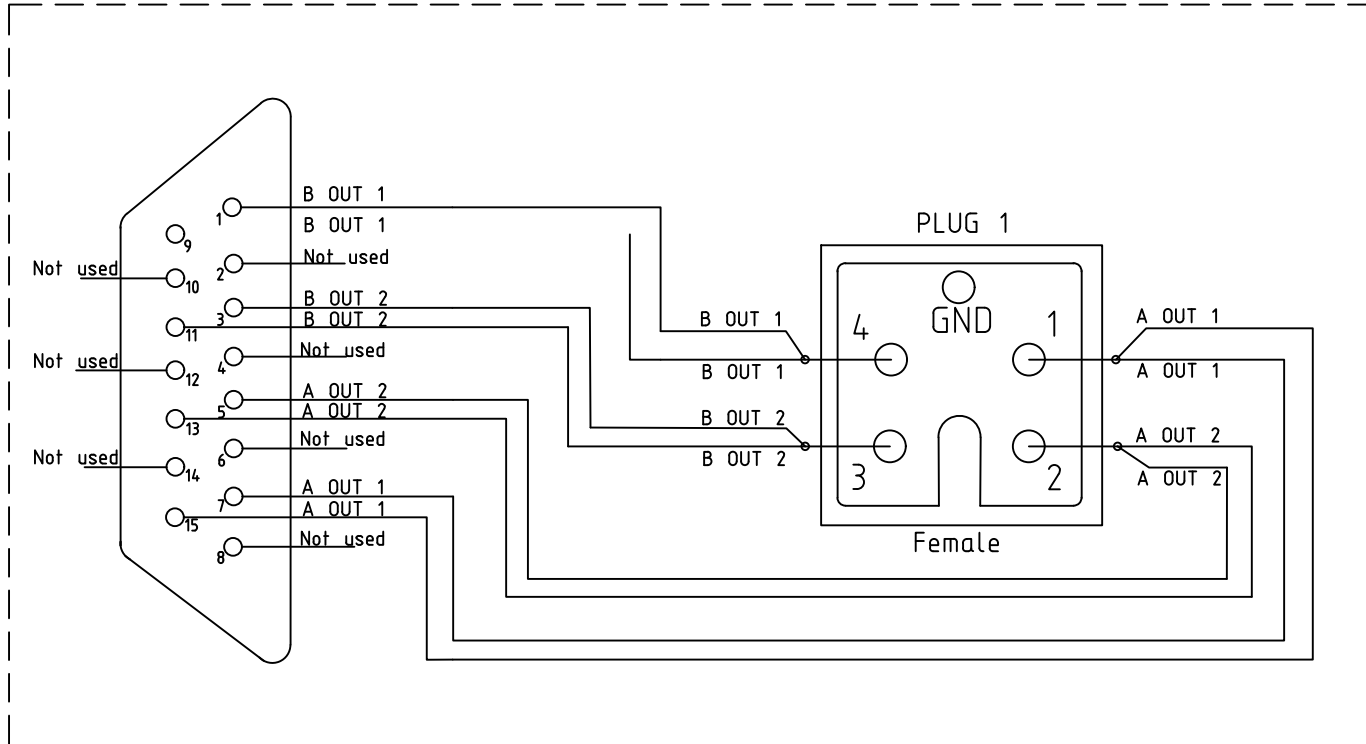
F1CPS.0001

REVISION:

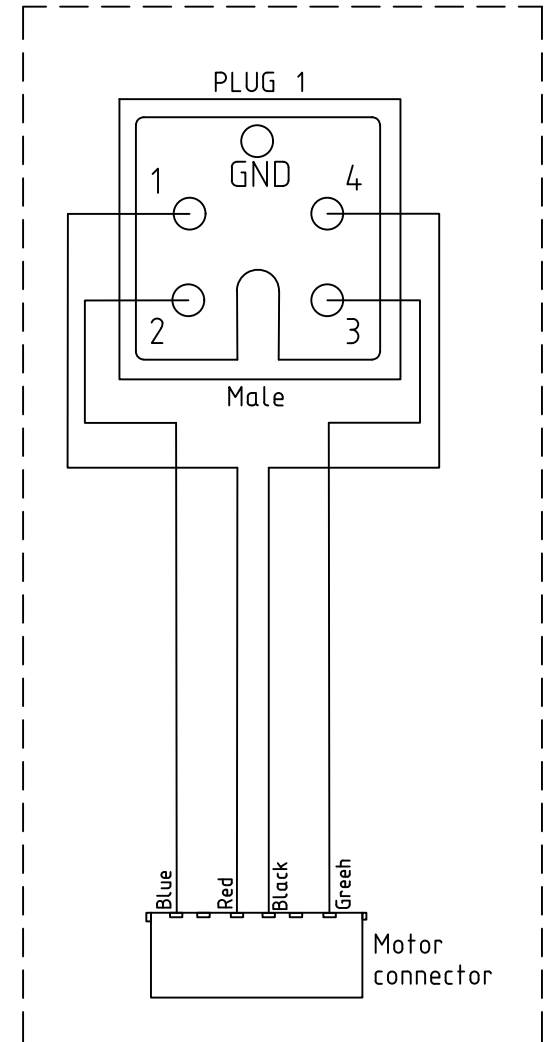
6-6-2023

A4

# SUB-D 15 to housing



# Housing to Ferlin One motor



# Ferlin

Rudolf Dieselstraat 15A  
Nijverdal  
7442 DR  
HOLLAND  
tel. 0548-745370

PROJECT:  
Ferlin One  
SUBJECT:  
SUB-D 15 Connection

DRAWN BY: N. Vogelzang

DATE: 6-6-2023

PROJECTNO.

PAGE: 3 OF: 6

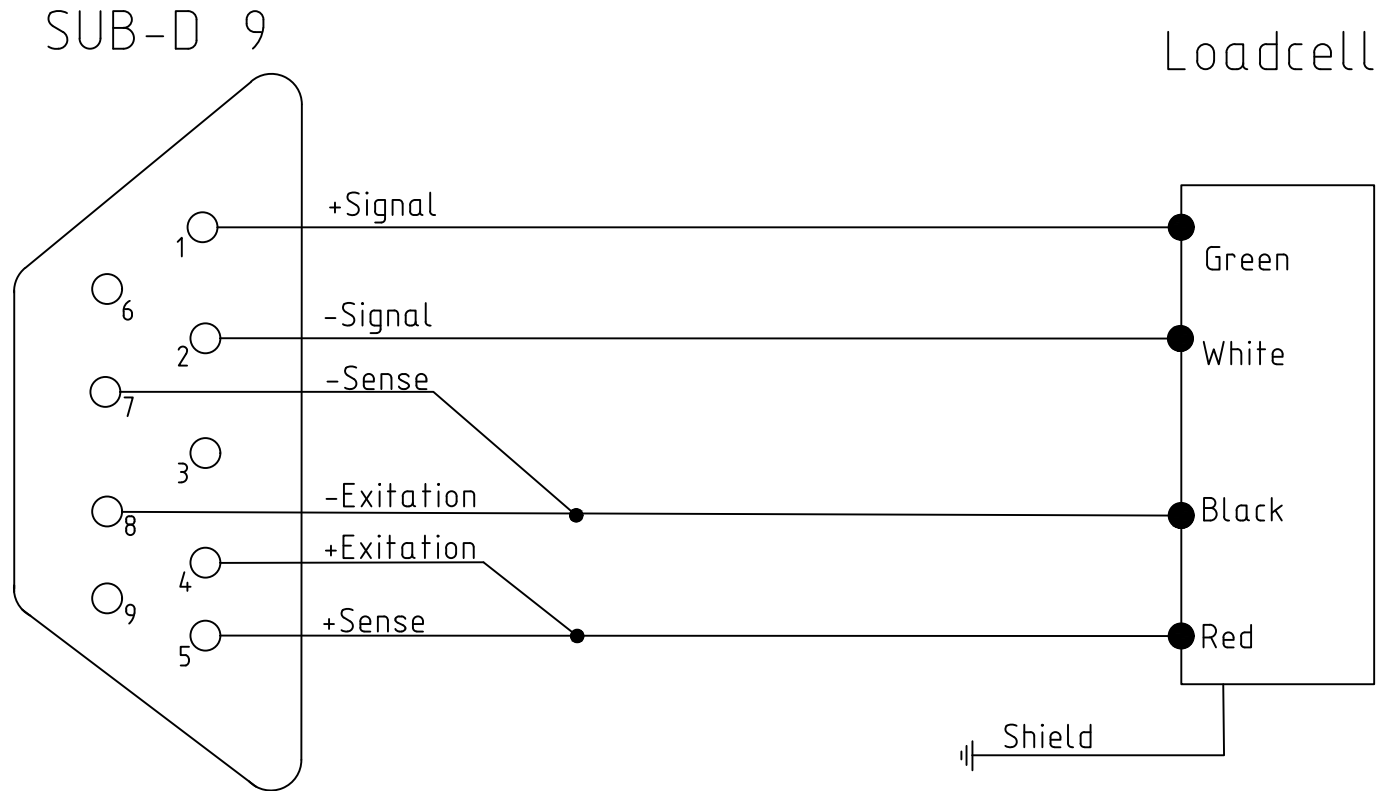
DRAWING NUMBER:

F1CPS.0001

REVISION:

6-6-2023

A4



**Ferlin**

Rudolf Dieselstraat 15A  
Nijverdal  
7442 DR  
HOLLAND  
tel. 0548-745370

PROJECT:  
Ferlin One

SUBJECT:  
SUB-D 9 Connection

DRAWN BY: N. Vogelzang

DATE: 6-6-2023

PROJECTNO.

PAGE: 4 OF: 6

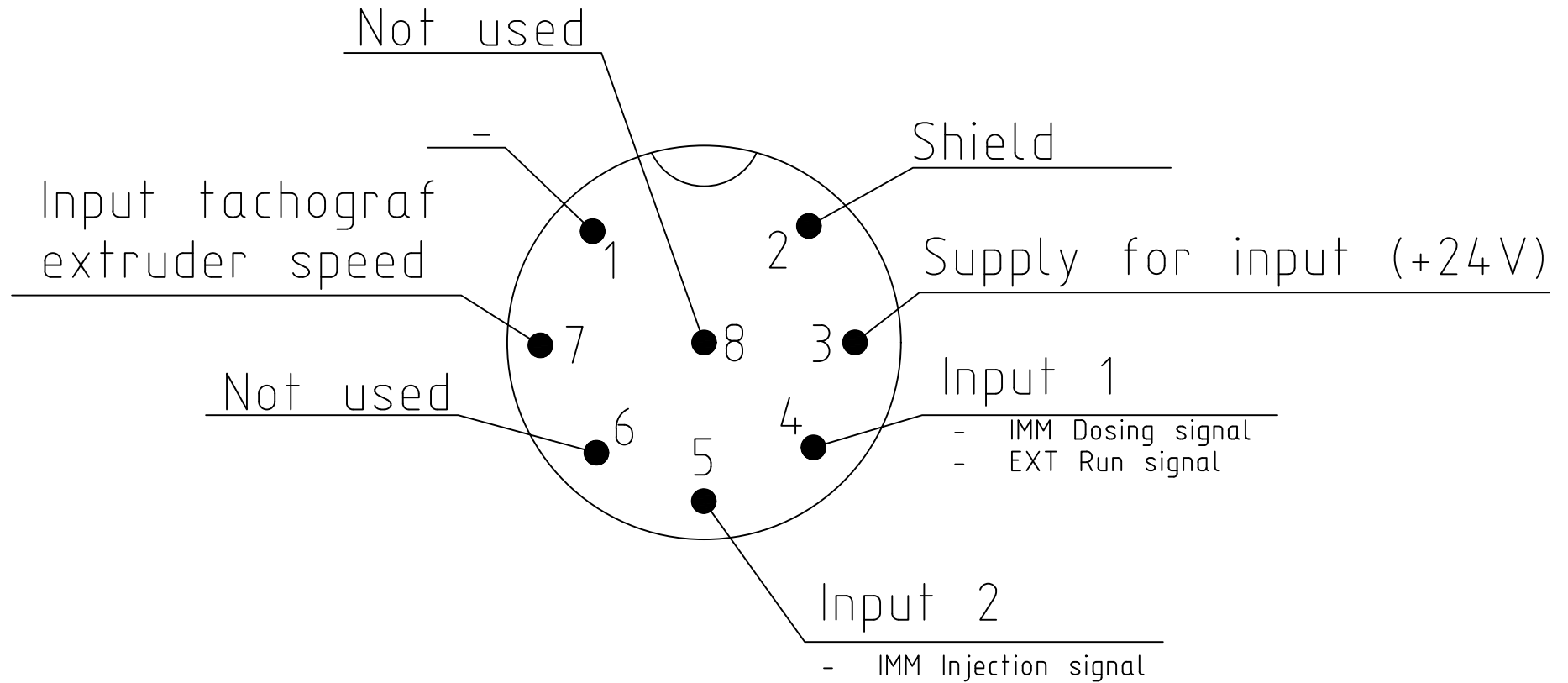
DRAWING NUMBER:

F1CPS.0001

REVISION:

6-6-2023

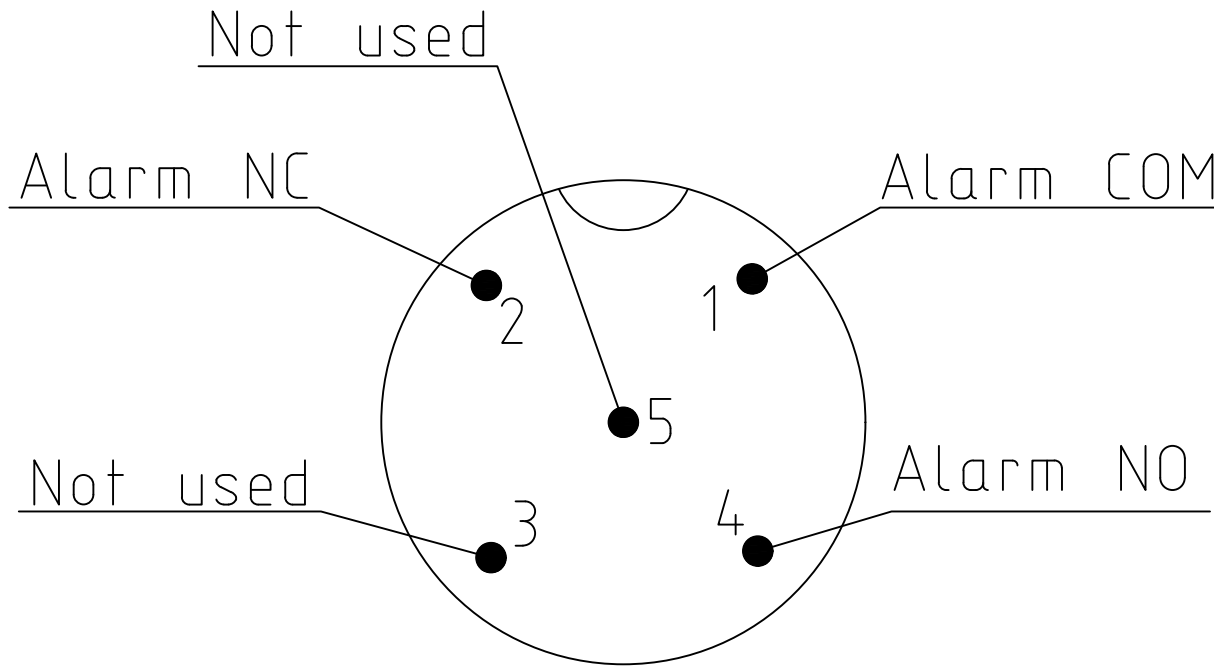
A4



# Ferlin

Rudolf Dieselstraat 15A  
 Nijverdal  
 7442 DR  
 HOLLAND  
 tel. 0548-745370

<b>PROJECT:</b> Ferlin One	<b>DRAWN BY:</b> N. Vogelzang	<b>DRAWING NUMBER:</b> F1CPS.0001	
	<b>DATE:</b> 6-6-2023		
<b>SUBJECT:</b> Machine connection	<b>PROJECTNO.</b>	<b>REVISION:</b> 6-6-2023	
	<b>PAGE:</b> 5 <b>OF:</b> 6	<div style="text-align: right; font-size: 2em; font-weight: bold;">A4</div>	



**Ferlin**

Rudolf Dieselstraat 15A  
 Nijverdal  
 7442 DR  
 HOLLAND  
 tel. 0548-745370

PROJECT: Ferlin One	DRAWN BY: N. Vogelzang	DRAWING NUMBER: F1CPS.0001	
	DATE: 6-6-2023	REVISION: 6-6-2023	A4
SUBJECT: Potential free contact connection	PROJECTNO.		
	PAGE: 6	OF: 6	